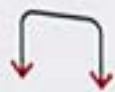


STAPLES

0012N



24/6
1000 PCS



Sharp Tips



25 SHEETS

deli

ESSENTIAL

STAPLES
0012N



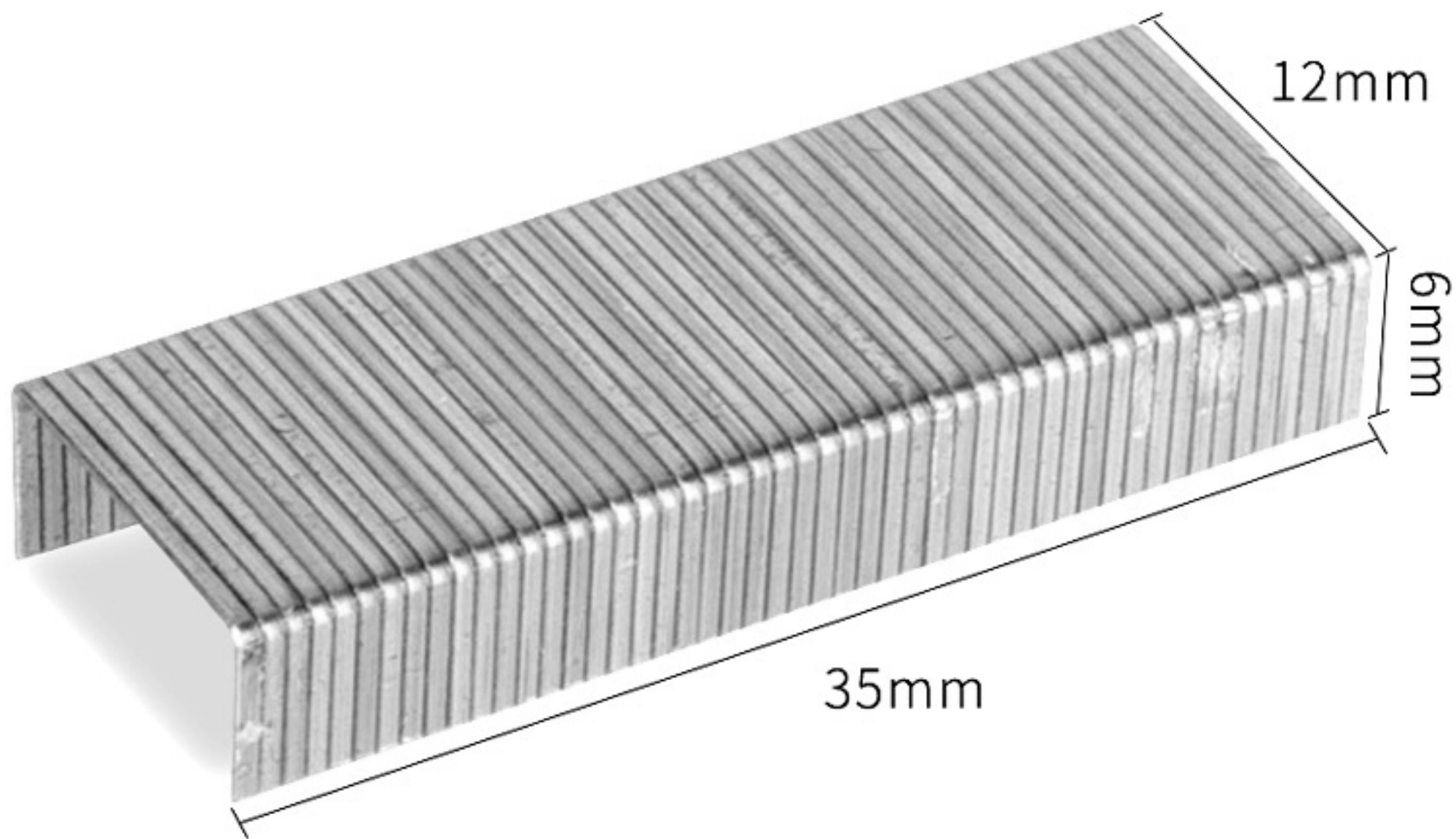
STAPLES



Balanced
hardness

Optimized staple tip angle for an improved performance

Ref.	Spec.
E0012N	Staple - 24/6



测试卷解析·初一数学

8 BCB

09: 0.034

11、0

14、<

19

(2)解: 原式 = $\left(-\frac{8}{3}\right) \times \frac{15}{4}$

$$= \frac{8}{3} \times \frac{15}{4}$$

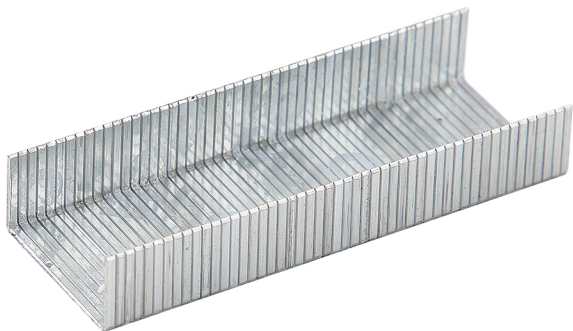
$$= \frac{5}{3}$$

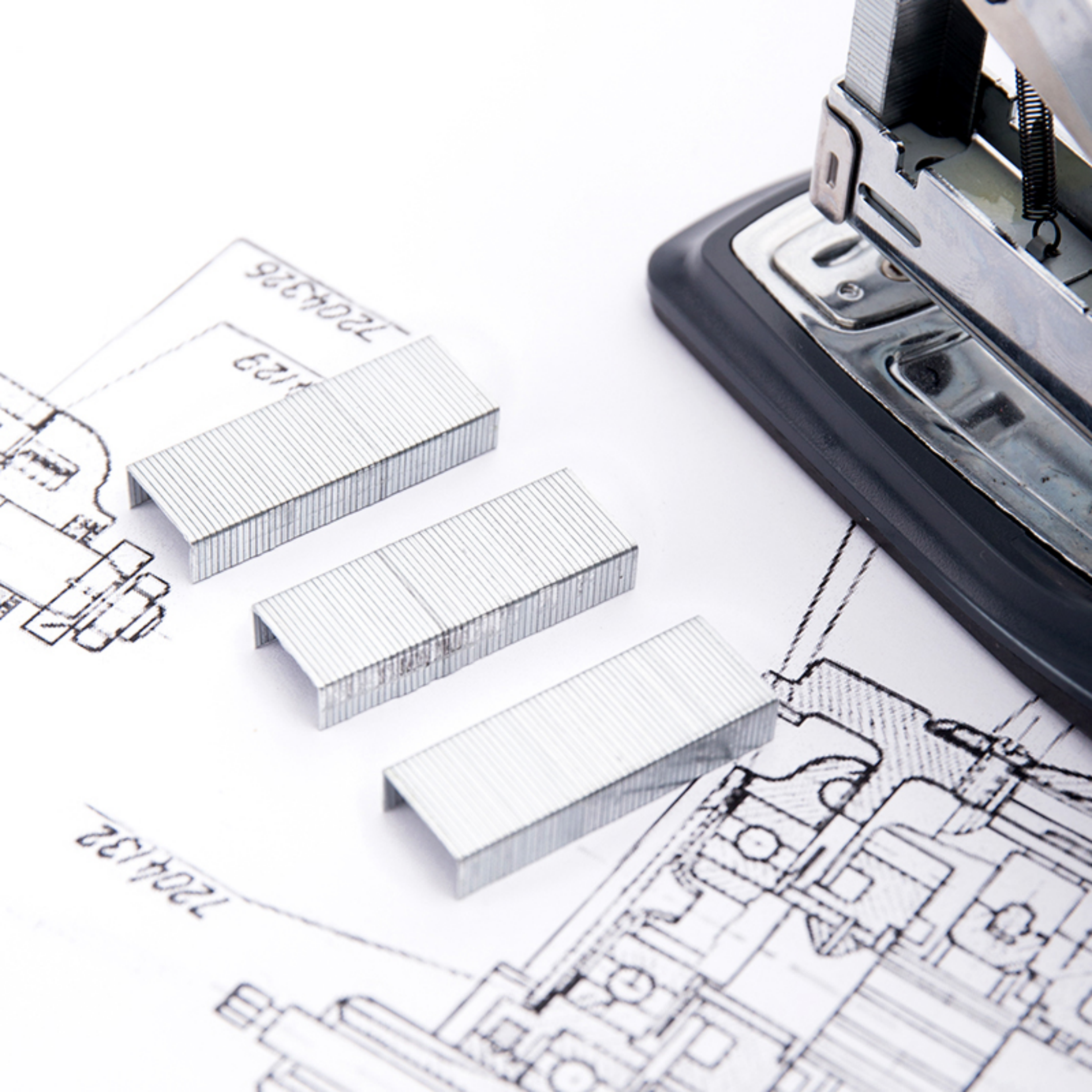
(4)解: 原式 = $-3 + 5 \left(\frac{1}{25} \times \frac{1}{2}\right)$

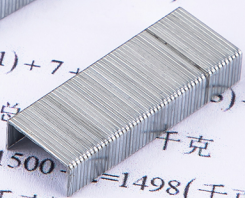
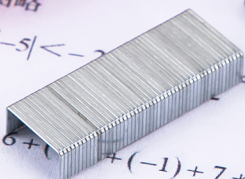
$$= -3 + 5 \frac{11}{25}$$

$$= 2 \frac{11}{25}$$

()解: 原式 = $-9 + \frac{1}{4} - \frac{5}{4} \times \frac{1}{4}$







17. (1) $-6 + (-1) + 7 + (-5) + (-2) + (-2) + 1 =$
答: 10 袋小麦总重量是 1498 千克
(2) $150 \times 10 + (-2) = 1500 - 2 = 1498$ (千克)
 $1498 \div 10 = 149.8$ (千克)
答: 每袋小麦的平均重量是 149.8 千克

STAPLES

0012N



24/6
1000 PCS



Sharp Tips

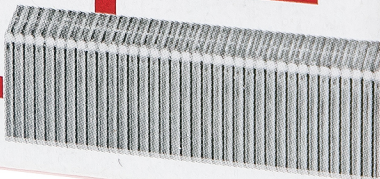


25 SHEETS

deli

ESSENTIAL

STAPLES
0012N





STAPLES

0012N



24/6
1000 PCS



Sharp Tips



25 SHEETS

deli

ESSENTIAL

STAPLES
0012N

