

**Special Disclaimer:**

While information of this manual has been rigorously checked and reviewed, we still cannot rule out the possibility of spelling mistakes and technical negligence and/or errors. Such negligence and/or errors will be corrected in the updated version(s) without further notice. The intellectual property of this manual belongs to our company, and no organization or individual is allowed to change the content.

**CERTIFICATE**

Inspector: \_\_\_\_\_

Date of Manufacture: \_\_\_\_\_

**DELI GROUP CO., LTD.**

301 Xuxiake Ave. Ninghai County  
Ningbo 315600 China Made in China  
info@nbdeli.com www.deliworld.com



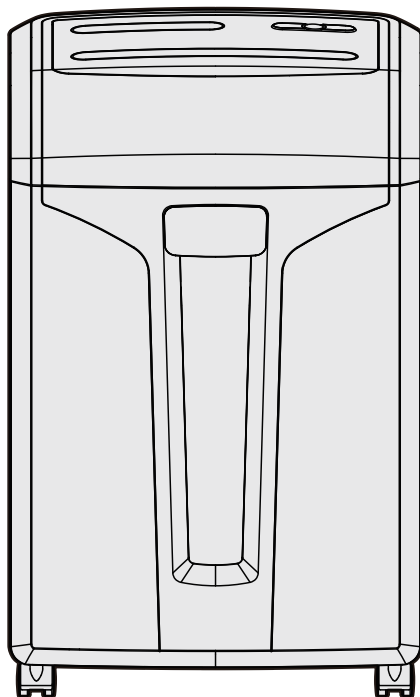
**KEEP FOR  
FUTURE USE**

Version: 1.1  
Date: 10-2019

deli

# USER MANUAL

Paper Shredder



No.14400

Thank you for purchasing our product. This shredder is suitable for personal as well as office department use. We believe the shredding capabilities and confidentiality level of this series of shredders will enable you to dispose your documents in a more efficient manner.

Please read this manual carefully before use, in order to facilitate proper use of this product, as well as to prevent damage to people and property.

## The Table Of Toxic And Hazardous Substances/Elements And Their Content

Part name	Lead (Pb)	Mercury (Hg)	Cadmium (Cd)	Hexavalent Chromium (Cr)	Polybrominated biphenyls (PBB)	Polybrominated Dimethyl Ether (PBDE)
Housings	○	○	○	○	○	○
Wastebasket	○	○	○	○	○	○
Motor	×	○	○	○	○	○
Core	○	○	○	○	○	○
Cables	×	○	○	○	○	○
Circuit board	×	○	○	○	○	○
Print	○	○	○	○	○	○
Packaging materials	○	○	○	○	○	○

This Table is prepared in accordance with the provisions of SJ/T11364.

○: Indicates that this toxic or hazardous substance contained in all of the homogeneous materials for this part is below the limit requirement in GB/T 26572.

×: Indicates that this toxic or hazardous substance contained in at least one of the homogeneous materials used for this part is above the limit requirement in GB/T26572(Due to technical or economic reason, these toxic or hazardous substances cannot be replaced or reduced for now.).

## 1. Warnings And Precautions

---



Please place the shredder on a flat and level surface, to avoid from malfunction caused by tipping over.



Warning! Do not disassemble, modify or repair the machine by yourself in any way, to avoid electric shock or accidental injury.



Warning! Do not touch the plug with wet hands, to avoid electric shock or accidental injury.



Please unplug and turn off the shredder when discarding the shredded objects, moving, or not using the equipment for a while, to avoid a fire or electric shock.



Warning! Do not splash water onto the machine to avoid a fire or electric shock.



Do not use this equipment next to a heater or air condition, in a high temperature and humidity, or dusty place, to avoid a fire or electric shock.



Do not shred tapes, copy papers, fabrics or plastic films, to avoid equipment failure.



Warning! Do not damage or process the power cord or place objects on the power cord, to avoid a fire or electric shock.



In case of smoke, odor or other abnormal conditions, please turn off the power switch immediately and stop using to avoid a fire or electric shock.



Do not use the laminator if the machine or power cord is damaged, to avoid a fire or electric shock.



Warning! Do not let children use this shredder to avoid accidental injury. (This equipment is installed with sharp blades.)



Warning! Do not touch the blades in the feed and shredded outlet slots.



Warning! Do not allow tie, necklace, sleeves, etc. to get pulling into the feed slot. (If it is accidentally entangled, press and hold the "Reverse" button to remove the object.)



Warning! please do not allow your hair to get pulling into the feed slot. (If it is accidentally entangled, press and hold the "Reverse" button to remove the object.)



Please do not put pins, paper clips, etc. into the feed slot. (If it is accidentally entangled, press and hold the "Reverse" button to remove the object.)



Do not spray any flammable gases into the equipment to avoid a fire.



## 2. Packing List

---

Please check the intact of equipment and inventory all accessories. Please contact the dealer for any defect and/or missing of accessory.

#	Name	Quantity	Remark
1	Paper Shredder	1x	
2	User Manual	1x	
3	Caster Wheel	4x	Put in the wastebasket

## 3. Product Specification

---

Product number	14400
Power supply	AC220V/50Hz
Rated power(W)	270
Shred type	Cross-cut
Shred size(mm)	4x40
Shred CDs or DVDs	Yes
Shredding capacity (70g, A4) (sheet)	16
Shredding speed (m/min)	≥2
Paper feed slot width(mm)	240
CD/DVD feed slot width(mm)	122
Wastebasket capacity(L)	31
Product dimensions (mm)	390x302x615
Noise(dB)	≤70
Net weight(kg)	15.2
Continuous run time ( min )	≥30

\*Test data from Deli lab, changes of the test environment and tools may cause deviations.

## 4. Maintenance

---

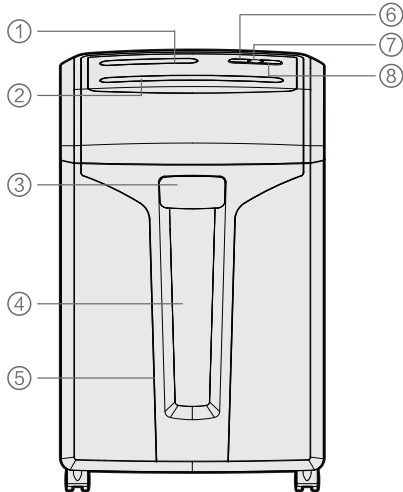
1. Unplug the power cord prior to maintenance;
2. Maintenance is limited to the cleaning of external parts only;
3. When cleaning the external parts, caution must be taken not to drip any water droplets into the interior of the shredder.

Note: When cleaning the outer casing of the shredder, please gently wipe with a soft cloth slightly damped with soapy water or detergent. Caution not to let the cloth enter into the feed slot, and do not use solvents such as gasoline, benzene, paint thinner and detergent.

## 5. Product Diagram

---

1. CD/DVD slot
2. Paper feed slot
3. Handle
4. Visible window
5. Wastebasket
6. Reverse
7. Standby
8. Forward



This diagram is for reference only  
please take the actual product as standard  
(Shred type varies among different product number)

## 6 Step-by-step Instructions

---

1. Switch on the 220V power supply in accordance with the voltage specifications of your equipment.
2. Press the power switch button " " on the back of the shredder, and then press the "Standby" button, the indicator will turn green (blue), which means you may start to use the shredder. The shredder will stop the shredding process automatically till you activate the next shredding operation. Upon the completion of shredding operation, please press the "Standby" switch button to turn off the unit.

3. If you want to stop the file being shredded, press the manual eject switch "Reverse" button, the shredder will immediately reverse and eject your file.
4. If a "jam" condition occurs due to excessive amount of paper, the red indicator will prompt the status, and automatically reverse to eject the jammed paper and stop the operation automatically. Once you take out the jammed paper, the indicator will turn green (blue) again and will be automatically reactivated by the next shredding operation. If the shredder fails to eject the paper automatically, press the manual "Reverse" button to eject the excess paper. If the jammed paper is too short to be removed by hand, you can also use the "Forward" button to break the paper to clear the jamming.
5. The indicator will flash when the wastebasket is full and normal shredding function will be disabled. The shredder will be reactivated after emptying the wastebasket.
6. Shredding excessive amount of paper will result in overheated motor issue, and the shredder will stop automatically (which is the uniquely designed automatic protection function to protect the motor from overheating). After the automatic shutdown, the shredder will resume working after around one hour cool down period.

## 7. Troubleshooting

---

Problem	Potential causes	Solution
The equipment is not functioning	The plug is not plugged in, no power	Push the plug into the socket thoroughly
	Voltage of the power is too low	Provide rate working voltage
	The wastebasket has not been pushed into the predetermined position	Push the wastebasket into the predetermined position
	The equipment is overheated and entered into protection mode due to prolonged use	Wait for a while till the equipment is cooled down
	Paper is too thin or too soft	Add a thicker paper or fold the paper multiple time to increase the thickness
	The wastebasket bucket is full	Clean the wastebasket
	Overload issue has not been resolved	Reduce the pages of paper and reload the paper into the feed slot
The shredder is stalled	Paper jam	Press the "Reverse" bottom to eject the jammed paper
The shredder motor will not stop running	The feed slot is covered with paper dust and other foreign matter	Clean up the feed slot area
Operating noise is too loud	Equipment has been put on hallow or unlevelled floor	Adjust the placement of the machine

Note: If there is a malfunction condition that can't be troubleshoot through the above method, please stop using the shredder immediately, unplug the power cord and notify the local service unit for service, please don't attempt to disassemble the unit by yourself!

## 8. Recycling

---

Be sure to send used and waste electronics and packaging materials to a special recycling site to prevent uncontrolled waste disposal and facilitate material recycling.